

# Investigate Similar Products



## I CAN DESCRIBE...

What they are made from.

How they could be made.

Who they are aimed at.

What dimensions are important.

What I like about them.

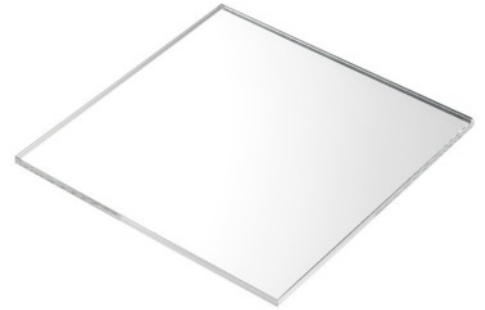
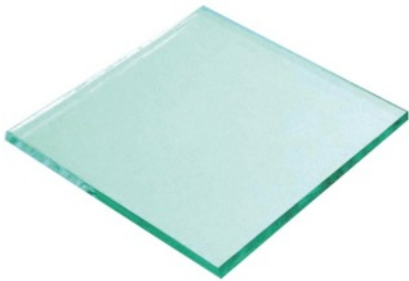
What I dislike about them.

How they might work.

How much they cost.

Level 3

# Investigate Material Properties



I CAN...

Describe the properties of these materials and why they are suitable for your product?

Level 3

# Investigate Sustainability

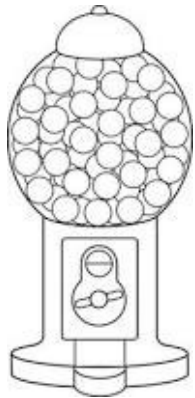


Level 3

**I CAN...**

Describe the effect my material choices will have on the environment.

# Designing a Product



Sketch



Product Sample

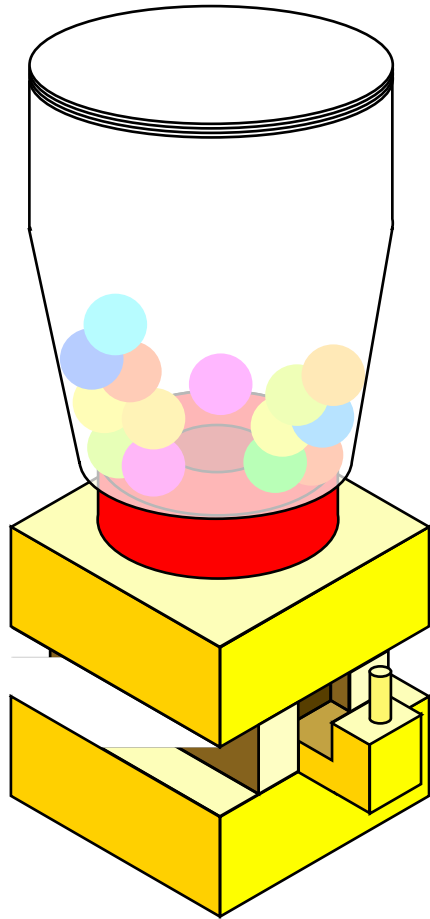


Level 3

## I CAN...

Sketch how my product might look.

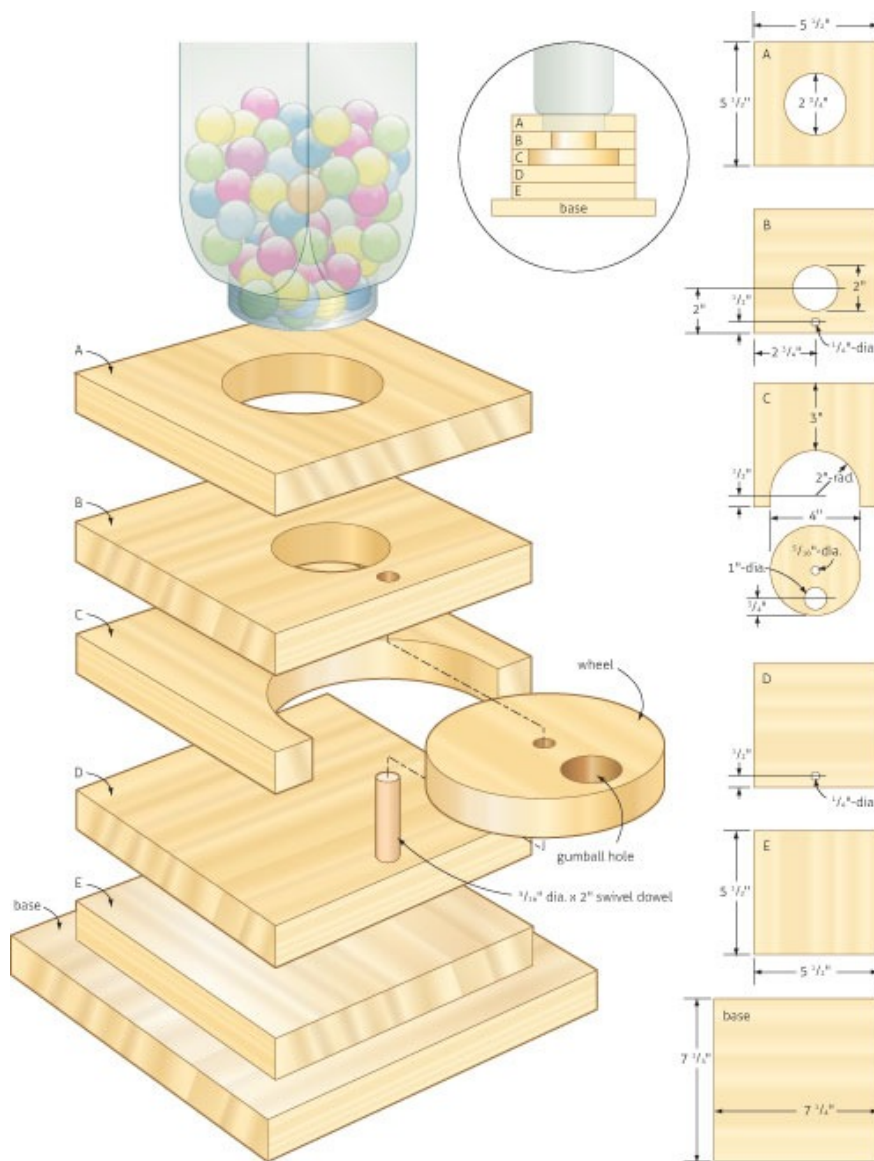
# Designing a Product



I CAN...

Develop how my product  
will look.

# Planning a Product



Level 4

I CAN...

Explain what parts I need to make for my product.

# Planning a Product

## Pattern #237 - Candy Machine

WOODCRAFT DESIGNS by

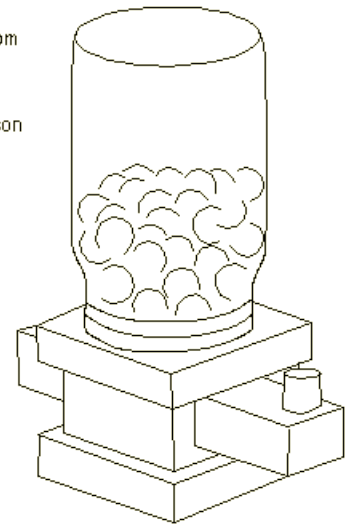
### ACCENTS IN PINE

P.O. Box 7387, Gonic, NH 03839 www.accentsinpine.com  
Protected by Copyright. May not be reproduced without permission.

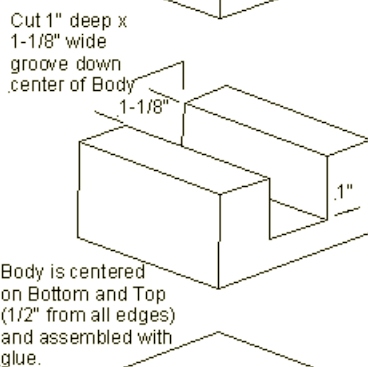
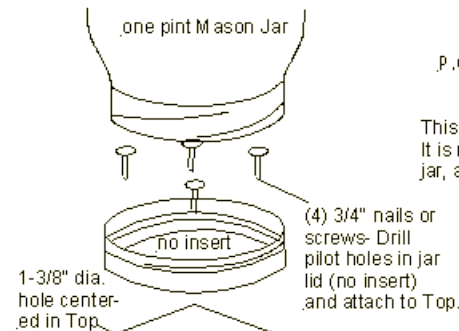
This popular design is a candy, gumball, nut dispenser. It is made from pine, dowels and a screw top one pint Mason jar, available at most hardware and discount stores.

#### MATERIALS

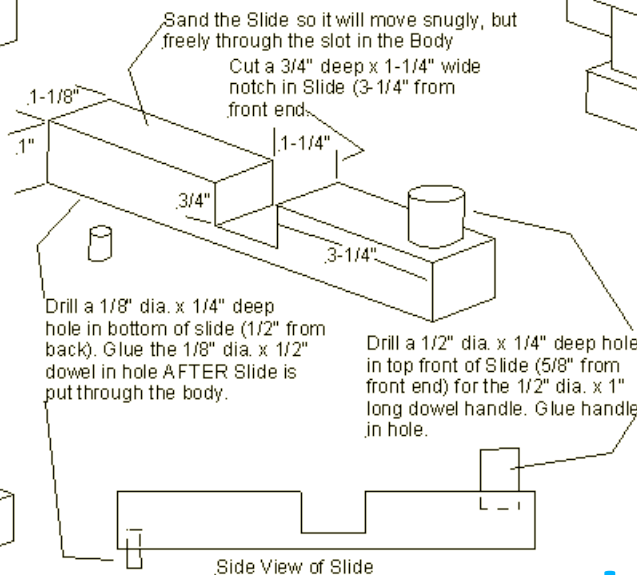
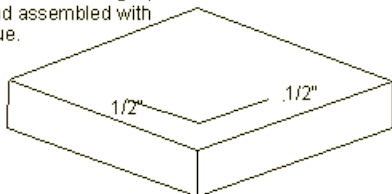
One pint screw-top mason Jar & Lid  
Top - 3/4" x 4" x 4" pine  
Body - 1-1/2" x 3" x 3" pine  
Bottom - 3/4" x 4" x 4" pine  
Slide - 1" x 1-1/8" x 8" pine  
Handle - 1/2" dia. dowel x 1"  
Stop - 1/8" dia. dowel x 1/2"  
(4) 3/4" nails or R.H. Screws and Glue



Although not Full Size patterns, this project is fun and simple to make and a very nice craft fair item or gift item if filled with the recipient's favorite candy, nuts, etc.



Body is centered on Bottom and Top (1/2" from all edges) and assembled with glue.



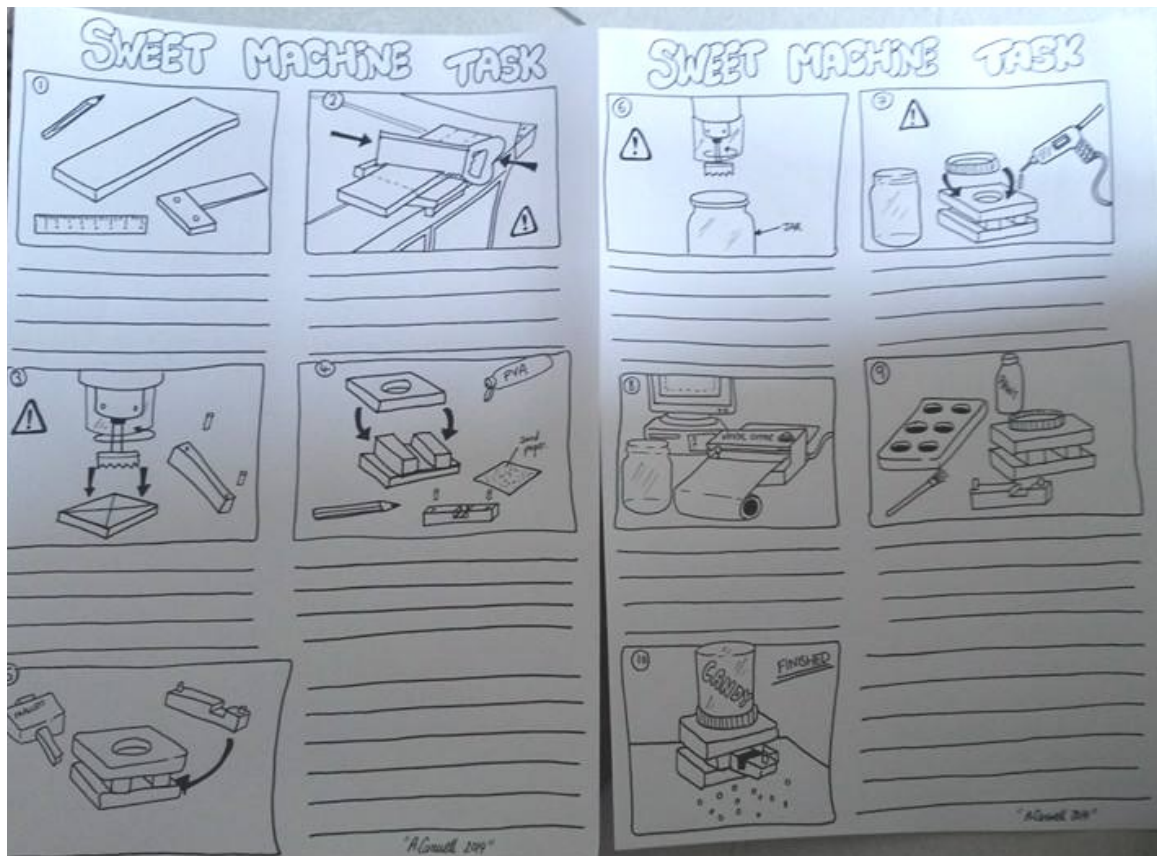
## Level 5

# I CAN...

# Explain how my product will fit together.



# Planning a Product



Level 4

I CAN...

Sequence how my product will be made.

# Making a Product



Level 2



Level 3



Level 4



Level 5

I CAN...

Cut, join and mix materials together to make a functioning product.